

**THAMES COROMANDEL DISTRICT COUNCIL
WILLIAMSON PARK, WHANGAMATA
STORMWATER OUTLET DUPLICATION PROJECT**

PRELIMINARY

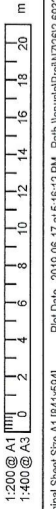
Project No: 2-69327.00

Date: 17-06-2019



LOCALITY PLAN
SCALE: NTS

SHEET INDEX	
SHEET NUMBER	DRAWING TITLE
C00	COVER SHEET
C01	STORMWATER - LOCATION PLAN AND SHEET INDEX
C02	STORMWATER - PLAN
C03	STORMWATER - CHAMBER DETAILS EX-SWMH 1 AND SWMH 2
C04	STORMWATER - CHAMBER DETAILS EX-SWMH 3 AND OUTLET 4
C05	STORMWATER - PIPE LONGITUDINAL SECTION
C06	STORMWATER - TYPICAL DETAILS



Original Sheet Size A1 (B4) (654) Pld Date 2019-05-17 at 5:16:12 PM Path \p\usd\p\proj\20262-69327.00\Home\Drawings\Civil\AutoCAD\20262-69327.00.dwg C01 LOCATION PLAN AND SHEET INDEX

Revision	Description	Approved	Revision Date
A	FOR INFORMATION	A. B	2019-05-19
B	FOR CLIENT REVIEW	A. B	2019-06-17



wsp | OPUS
Paeroa Office
PO Box 91
Paeroa 3540
New Zealand
+64 7 888 8600

Designed	Approved	Approved Date
A. BOLDERO	A. BOLDERO	2019-05-14
Drawn	Checked	
D. PARALI	AS SHOWN	

Project
THAMES COROMANDEL DISTRICT COUNCIL
WILLIAMSON PARK, WHANGAMATA
STORMWATER OUTLET DUPLICATION PROJECT

Sheet
STORMWATER
LOCATION PLAN AND SHEET INDEX

Project No.
2-69327.00

Sheet No.
C01

Revision
B

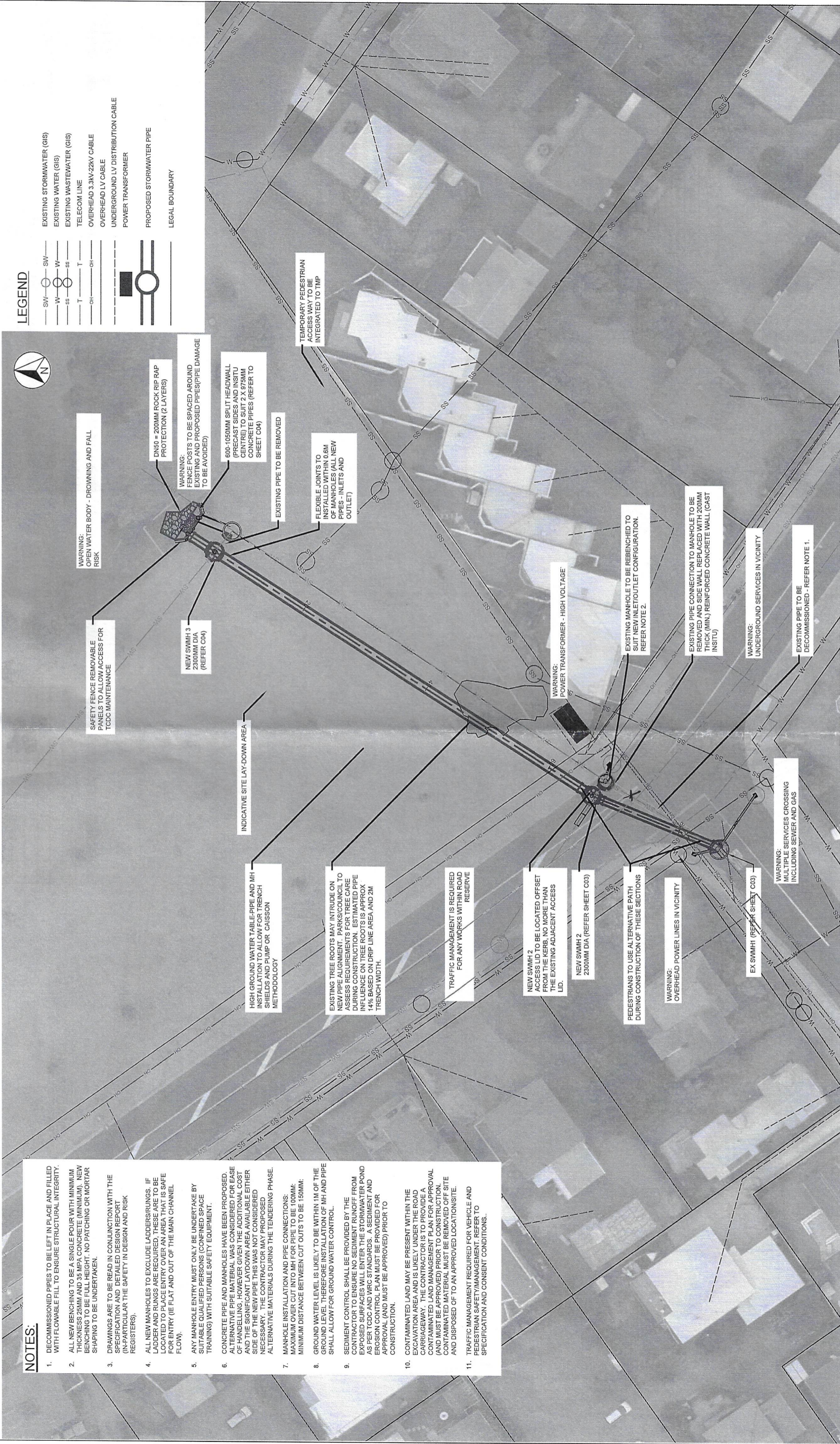
PRELIMINARY

NOTES:

- DECOMMISSIONED PIPES TO BE LEFT IN PLACE AND FILLED WITH FLOWABLE FILL TO ENSURE STRUCTURAL INTEGRITY.
- ALL NEW BENCHING TO BE A SINGLE POUR WITH MINIMUM 100MM CONCRETE (MINIMUM 100MM NEW BENCHING SHALL BE FULLY FINISHED WITH PATCHING OR MORTAR SHAPING TO BE UNDERTAKEN.
- DRAWINGS ARE TO BE READ IN CONJUNCTION WITH THE SPECIFICATION AND DETAILED DESIGN REPORT (IN-PARTICULAR THE SAFETY IN DESIGN AND RISK REGISTERS).
- ALL NEW MANHOLES TO EXCLUDE LADDERS/RUNGS. IF LADDERS AND RUNGS ARE REQUIRED, THESE ARE TO BE LOCATED TO PLACE ENTRY OVER AN AREA THAT IS SAFE FOR ENTRY (IE FLAT AND OUT OF THE MAIN CHANNEL FLOW).
- ANY MANHOLE ENTRY MUST ONLY BE UNDERTAKE BY SUITABLE QUALIFIED PERSONS (CONFINED SPACE TRAINING) WITH SUITABLE SAFETY EQUIPMENT.
- CONCRETE PIPE AND MANHOLES HAVE BEEN PROPOSED. ALTERNATIVE PIPE MATERIAL WAS CONSIDERED FOR EASE OF HANDLING, HOWEVER GIVEN THE ADDITIONAL COST AND THE SIGNIFICANT LAYDOWN AREA AVAILABLE EITHER SIDE OF THE NEW PIPE THIS WAS NOT CONSIDERED NECESSARY. THE CONTRACTOR MAY PROPOSED ALTERNATIVE MATERIALS DURING THE TENDERING PHASE.
- MANHOLE INSTALLATION AND PIPE CONNECTIONS:
MAXIMUM OVER CUT INTO MH FOR PIPE TO BE 100MM;
MINIMUM DISTANCE BETWEEN CUT OUTS TO BE 150MM;
- GROUND WATER LEVEL IS LIKELY TO BE WITHIN 1M OF THE GROUND LEVEL THEREFORE INSTALLATION OF MH AND PIPE SHALL ALLOW FOR GROUND WATER CONTROL.
- SEDIMENT CONTROL SHALL BE PROVIDED BY THE CONTRACTOR TO ENSURE NO SEDIMENT RUNOFF FROM EXCAVATION AREAS ENTERS THE STORMWATER POND AS PER TO SUPPORTS THE ENVIRONMENTAL AND EROSION CONTROL PLAN MUST BE PROVIDED FOR APPROVAL (AND MUST BE APPROVED) PRIOR TO CONSTRUCTION.
- CONTAMINATED LAND AND MAY BE PRESENT WITHIN THE EXCAVATION AREA AND IS LIKELY UNDER THE ROAD CARRIAGEWAY. THE CONTRACTOR IS TO PROVIDE A CONTAMINATED LAND MANAGEMENT PLAN FOR APPROVAL (AND MUST BE APPROVED) PRIOR TO CONSTRUCTION. CONTAMINATED MATERIAL MUST BE REMOVED OFF SITE AND DISPOSED OF TO AN APPROVED LOCATION/SITE.
- TRAFFIC MANAGEMENT REQUIRED FOR VEHICLE AND PEDESTRIAN SAFETY/MANAGEMENT. REFER TO SPECIFICATION AND CONSENT CONDITIONS.

LEGEND

- SW — SW — EXISTING STORMWATER (GIS)
- W — W — EXISTING WATER (GIS)
- SS — SS — EXISTING WASTEWATER (GIS)
- T — T — TELECOM LINE
- OH — OH — OVERHEAD 3.3KV-22KV CABLE
- — — UNDERGROUND LV DISTRIBUTION CABLE
- — — POWER TRANSFORMER
- — — PROPOSED STORMWATER PIPE
- — — LEGAL BOUNDARY



STORMWATER PLAN
SCALE: 1:250(A1) 1:500(A3)

Revised	Drawsheet	Revised Date
A	FOR INFORMATION	2019-05-19
B	FOR CLIENT REVIEW	2019-06-17



OPUS
Paeroa Office
PO Box 91
Paeroa 3640
New Zealand
+64 7 889 8600

Designed	Approved	Approved Date
A. BOLDERO	A. BOLDERO	2019-06-14
D. PAPAJULI	AS SHOWN	

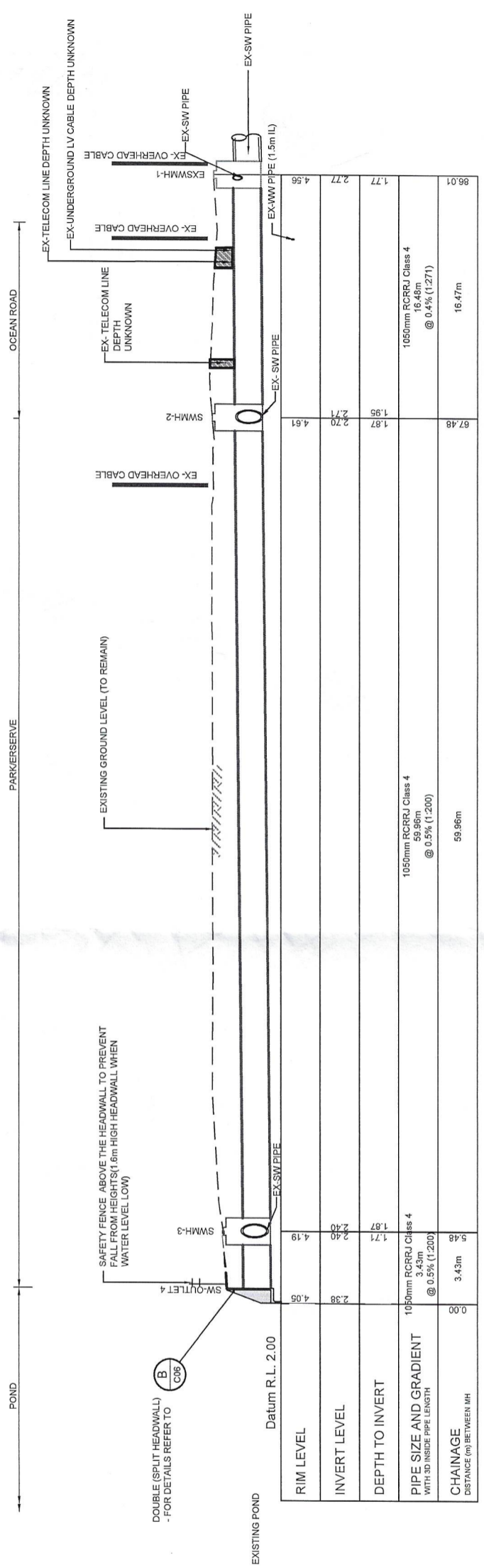
Project: THAMES COROMANDEL DISTRICT COUNCIL
WILLIAMSON PARK, WHANGAMATA
STORMWATER OUTLET DUPLICATION PROJECT

Sheet: STORMWATER PLAN

Project No: 2-69327.00

PRELIMINARY

1:200 @ A1 (1/11) 0 2 4 6 8 10 12 14 16 18 20 m
1:400 @ A3

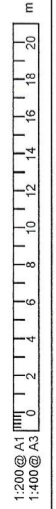


Item	Value	Value	Value	Value
RIM LEVEL	4.05	4.19	4.56	4.96
INVERT LEVEL	2.38	2.40	2.77	2.77
DEPTH TO INVERT	1.71	1.79	1.77	1.77
PIPE SIZE AND GRADIENT WITH 3D INSIDE PIPE LENGTH	1050mm RCRRJ Class 4 @ 0.5% (1:200) 3.43m	1050mm RCRRJ Class 4 @ 0.5% (1:200) 59.96m	1050mm RCRRJ Class 4 @ 0.4% (1:271) 16.48m	1050mm RCRRJ Class 4 @ 0.4% (1:271) 16.47m
CHAINAGE (m) BETWEEN MH	0.00	3.43m	67.48	16.47m

PIPE LONGITUDINAL SECTION
 SCALE: H:1:200 (A1) V:1:100(A1)
 H:1:400 (A3) V:1:200(A3)

NOTES

- REFER TO SHEET C02 FOR NOTES.
- EXISTING SERVICES CROSSING ARE INDICATIVE ONLY.



Revision	Description	Approved	Issue Date
A	FOR INFORMATION	A. B.	2019-05-19
B	FOR CLIENT REVIEW	A. B.	2019-06-17

THAMES COROMANDEL DISTRICT COUNCIL

OPUS
 Paeroa Office
 PO Box 91
 Paeroa 3540
 +64 7 889 8500

Designed: A. BOLDERO
 Approved: A. BOLDERO
 Drawn: D. PARAJULI
 Scale: AS SHOWN

Approved Date: 2019-06-14

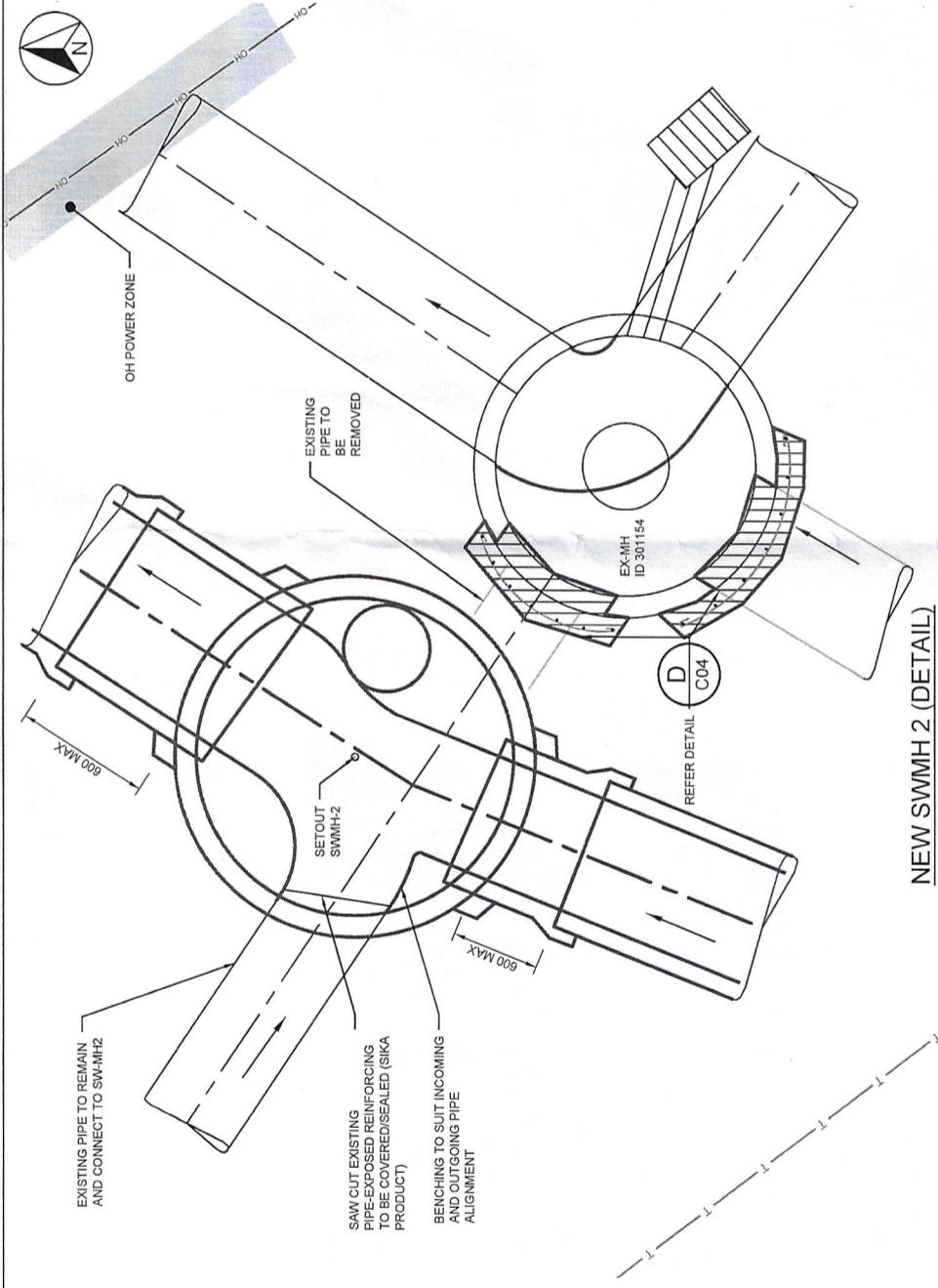
THAMES COROMANDEL DISTRICT COUNCIL
 WILLIAMSON PARK, WHANGAMATA
 STORMWATER OUTLET DUPLICATION PROJECT

Sheet: **PIPE LONGITUDINAL SECTION**

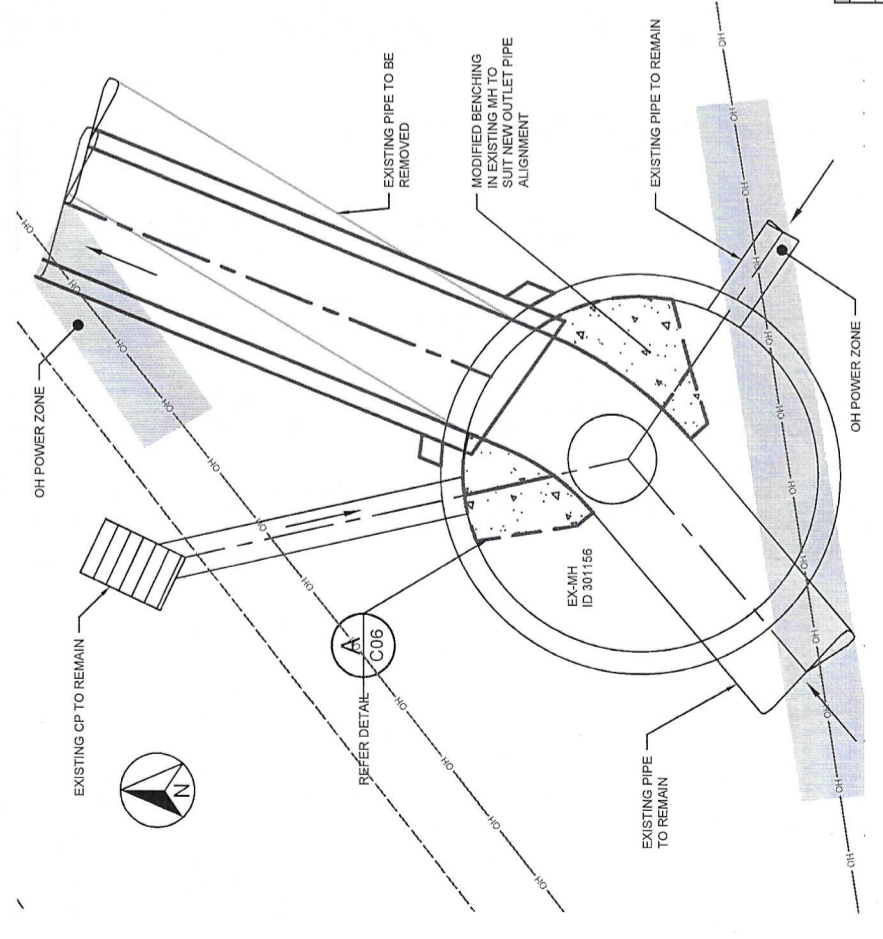
Project No: **2-69327.00**

Sheet No: **C05** Revision: **B**

PRELIMINARY



NEW SWMH 2 (DETAIL)
Scale 1:25 @ A3



EXISTING SWMH 1
Scale 1:25 @ A3

Setouts				
Point #	Northing	Easting	Level	Description
1	5877263.08	1855445.18	0.00	SWMH-1
2	5877314.93	1855478.38	0.00	SWMH-2
3	5877318.70	1855480.79	0.00	OUTLET-4(P1)
4	5877317.24	1855483.01	0.00	OUTLET-4(P2)

Survey Control		
Northing	Easting	Description
5877240.949	1855463.363	NAIL 100
5877272.904	1855440.352	NAIL 101
5877202.206	1855511.866	NAIL DPS 92248 (F2X3)
5876184.140	1855376.174	PLQ I SO 56434 (BUGL)
5877462.080	1855394.215	PLQ IV SO 56434 (BE46)

NOTES

1. REFER TO STANDARD SPLIT DRAWING
2. REFER SHEET C02 FOR DRAWING NOTES
3. NO ACCESS RINGS ARE PROPOSED IN NEW MHS. THIS IS TO LIMIT ACCESS. ACCESS REQUIRES FULL HARNESS AND CONFINED SPACE PROCEDURES AND TRAININGS.
4. SETOUT COORDINATE ARE IN NZGD2000NZTM PROJECTION, VERTICAL DATUM AUCKLAND 1946
5. REFER TO SHEET C05 FOR LONGSECTION FOR LEVELS.

PRELIMINARY

Project		THAMES COROMANDEL DISTRICT COUNCIL WILLIAMSON PARK, WHANGAMATA STORMWATER OUTLET DUPLICATION PROJECT	
Sheet		STORMWATER CHAMBER DETAILS EX-SWMH 1 AND SWMH 2	
Project No.		2-69327.00	
Sheet No.		C03	
Revision		B	

wsp OPUS		PO Box 91 Paeroa 3540 New Zealand	
Paeroa Office	Approved	Approved Date	2019-06-14
+64 7 889 8620	A. BOLDERO		
Designed	A. BOLDERO	Drawn	D. PARAJULI
Drawn	D. PARAJULI	Scale	AS SHOWN



Revision	Issued/Revised	Approved	Revised/Date
A	FOR INFORMATION	A. B	2019-05-19
B	FOR CLIENT REVIEW	A. B	2019-06-17

